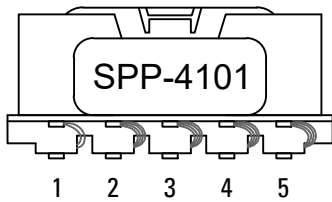


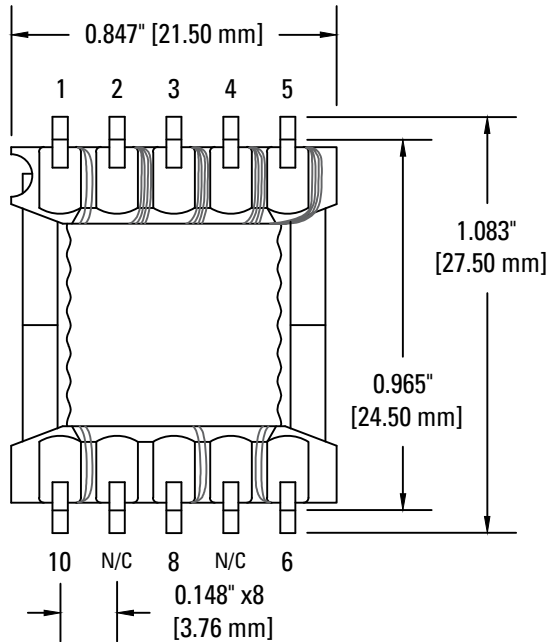
End View



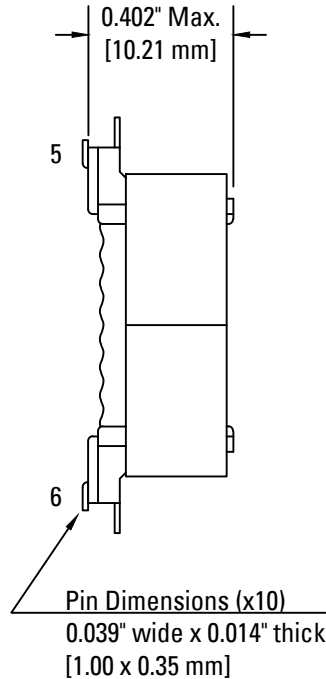
Prem's **SPP-4101** is a switchmode, surface mount, PCB-mounting transformer. It is designed to be used with a Power Integrations DPA425R (*DPA Switch* family) integrated chip in a 33 W DC-to-DC forward converter for a satellite receiver application.

- Power over Ethernet (PoE) and telecom applications (36–75 VDC input)
- UL 94V-0-rated bobbin
- Approximately 89% efficient
- RoHS compliant

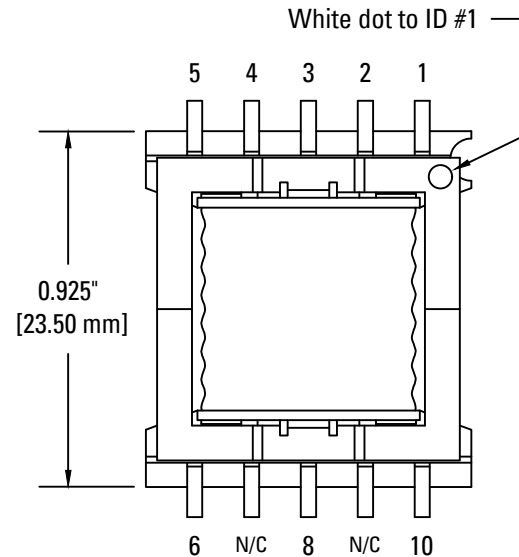
Bottom View



Side View

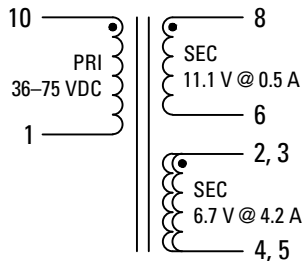


Top View



All dimensions for reference only.

Schematic



• Dots indicate like polarity

Designed for use with a Power Integrations DPA425R integrated chip in 33 W, DC-to-DC forward converter applications.

Input: 36–75 VDC @ 300 kHz
 Outputs: +11.1 VDC @ 0.5 ADC
 +6.7 VDC @ 4.2 ADC

ELECTRICAL SPECIFICATIONS

Primary DCR (10 - 1)	0.150 Ω Max.
11.1 V Secondary DCR (8 - 6)	0.042 Ω Max.
6.7 V Secondary DCR (2 - 4)	0.010 Ω Max.
6.7 V Secondary DCR (3 - 5)	0.018 Ω Max.
Primary Inductance (10 - 1) @ 0.4 V, 100 kHz	347 μH ± 25%
Leakage Inductance (10 - 1) @ 0.4 V, 100 kHz, with (2, 3, 4, 5, 6, & 8) shorted	0.900 μH Max.
Resonant Frequency (10 - 1), with other windings open	2.006 MHz Min.
Dielectric Strength (Primary to Secondaries)	1500 VDC (1 sec.)

**SPP-4101
Data Sheet**

7/6/19 | -1 | Updated data sheet fmt.; corrected sec. input voltage | AG

DATE | ISS. | REVISION | BY

Designed by: TJK 2/11/10
 Drawn by: AG 7/16/19
 Checked by: DB & TJK
 Drawing rev.: A-SPP-4101-1

PREM[®]
 MAGNETICS, INC.

3521 N Chapel Hill Rd
 Johnsburg, IL 60051
www.premmagnetics.com